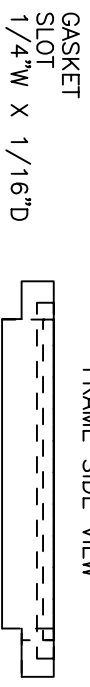
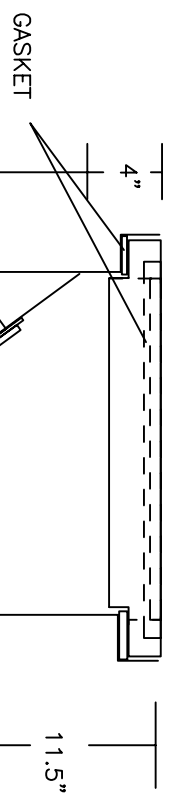


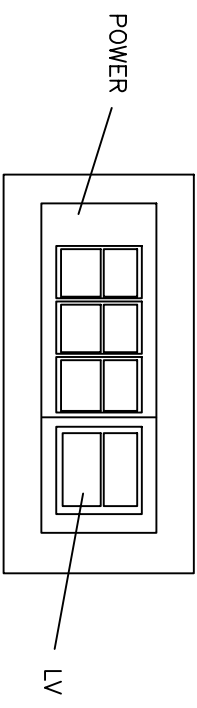
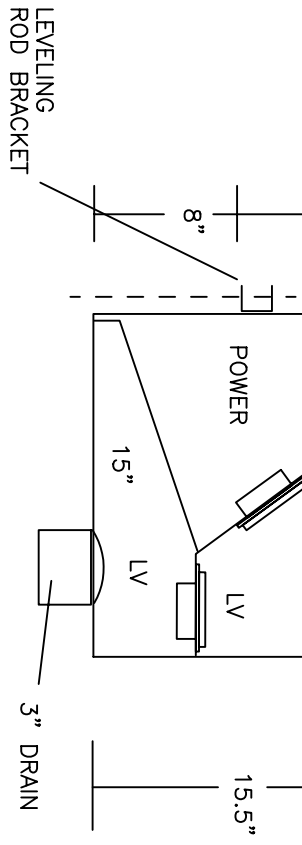
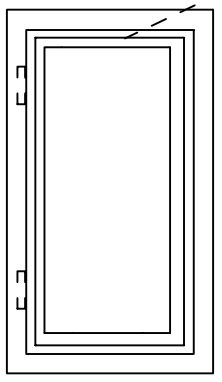
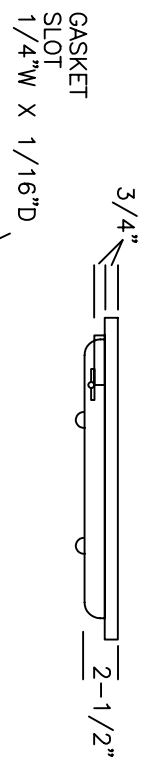
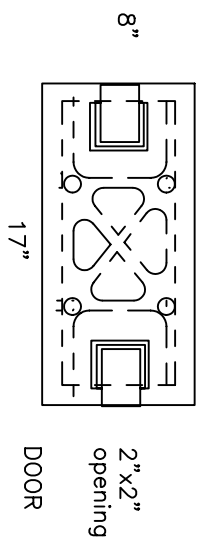
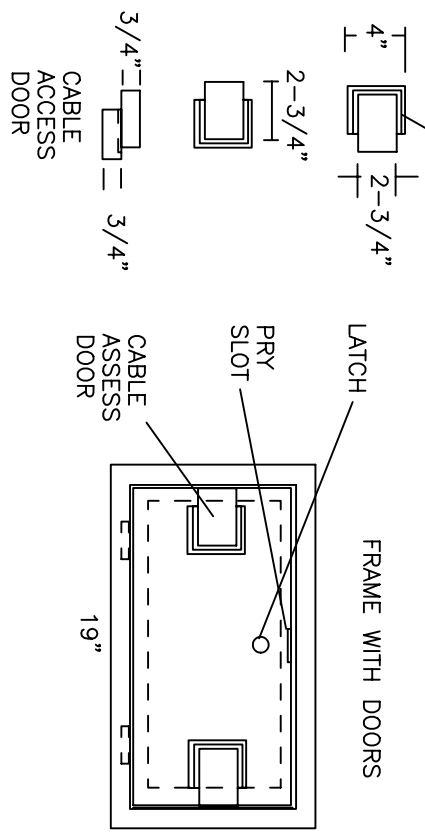
FRAME SIDE VIEW



NON-SLIP HATCHED SURFACE



FRAME WITH DOORS



MFG R TOLERANCE + - 1/8"

CBS
Combined Utilities Box Systems
 5325 N. COMMERCE AVE., #4, MOORPARK, CA 93021
 PHONE: 805/532-1776; FAX: 805/529-9466

TYPE W1 FLOOR BOX

REV.

THIS IS A CAD GENERATED DRAWING. ALL CHANGES MUST BE MADE BY THE CAD OPERATOR

DATE:	DRAWN BY: Jg1	DRAWING NO.:
-------	------------------	--------------